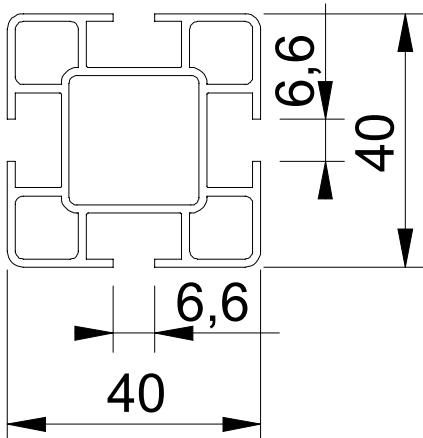
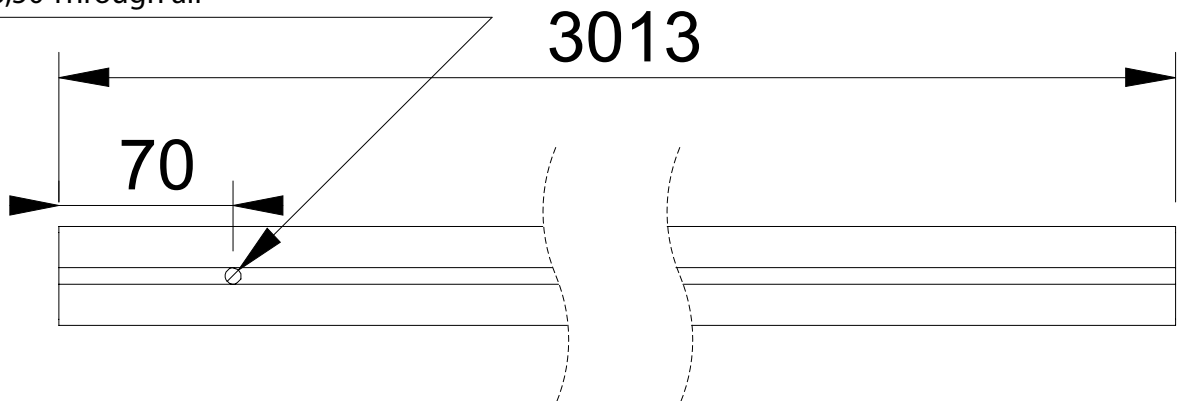



Ø6,50 Through all



			Pakkelliste / Packing list	Stk. / Qty.
			-	-
<small>Dato / Date</small> 27 - 10- 2022			<small>Version no.</small> 01	<small>Enheder / Units</small> mm
<small>Benævnelse / Description</small> - Rafter			-	-
609000018			-	-