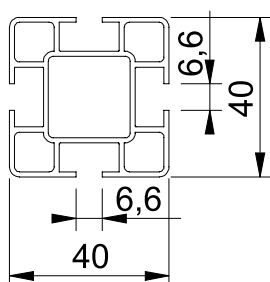
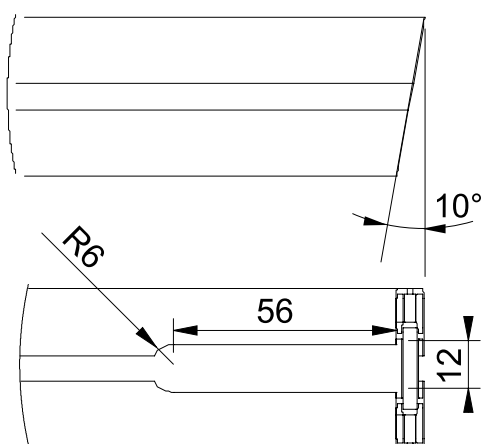
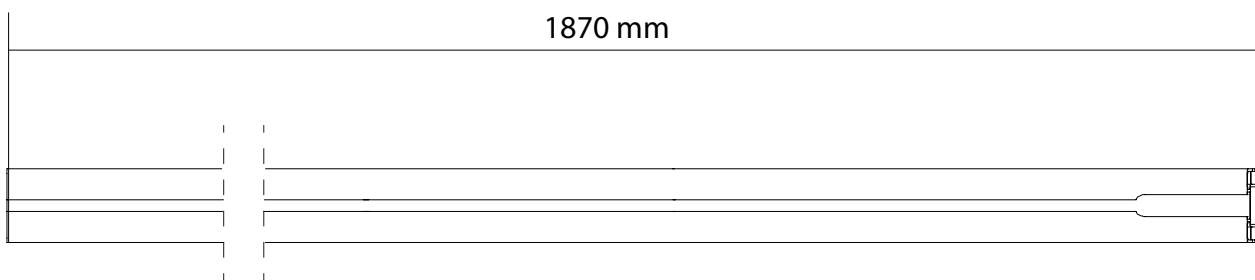



1870 mm



			Pakkelliste / Packing list	Stk. / Qty.
			-	-
<small>Dato / Date</small> 04-06-2024			<small>Version no.</small> 02	
<small>Enheder / Units</small> mm			<small>Benævnelse / Description</small> Front pillar, mitre 10°	
609000003			-	-